







WaterflowControl

WFC-FH-7CB5K

Filter Housing Twin Head



Contact Us:

-  (02) 9948 0699
-  info@waterflowcontrol.com.au
-  www.waterflowcontrol.com.au
-  D1/20 Picrite Close, Pemulwuy, NSW

WFC-FH-7CB5K Filter Housing Twin Head

Applications

Foodservice

Features and Benefits

- New redesigned commercial quality filter head for Everpure filter cartridges
- Dual filter head is parallel plumbed
- Built-in water shut off valve and flushing valve makes cartridge change outs easy
- A cartridge nesting feature provides a more secure and durable fit
- Includes mounting box bracket and screws for fast and easy installation. No extra mounting plate is required
- Built-in water pressure gauge helps monitor proper flow
- All wetted parts have passed NSF® extraction tests
- Corrosion resistant hardware
- New modular design of box bracket allows for future retrofitting of add-on components without disassembly of system. Optional wing bracket kits available
- Engineered for durability, strength and longevity

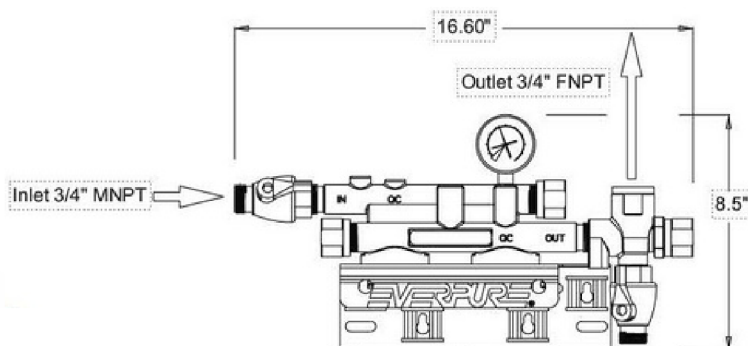


Installation Tips

- Mounts directly onto flat surface
- Install vertically so cartridge hangs down
- Allow 2-1/2" (6.35 cm) clearance below the cartridge for easy cartridge replacement
- Flush filter by running water through filter according to cartridge instructions

Sizing

- **Rated Capacity:**
Varies according to filter cartridge used



Operation Tips

- Change cartridges on a regular six (6) month preventative maintenance program
- Change cartridges when capacity is reached or when flow becomes too slow
- Always flush the filter cartridge at time of installation and cartridge change

Specifications	
Overall Dimensions	8.5" H x 16.6" W x 5.5" D (21.6 x 42.2 x 13.9 cm)
Inlet Connection	3/4"
Outlet Connection	3/4"
Rated Capacity	Varies according to filter cartridge used
Electrical Connection	None Required
Shipping Weight	2 lbs. (0.91 kg)