







WaterflowControl



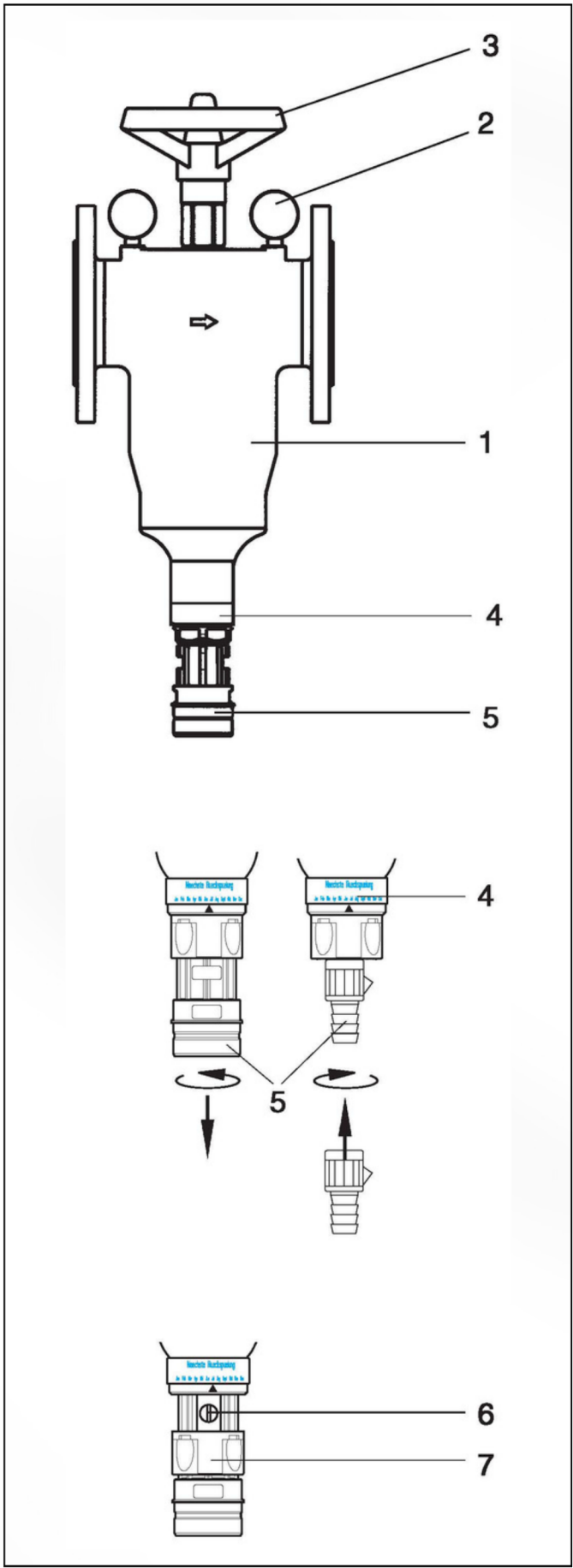
WFC-FS-MUL-M80

**Manual Backwash Filter 80mm
Installation & Operating Manual**

Contact Us:

-  (02) 9948 0699
-  info@waterflowcontrol.com.au
-  www.waterflowcontrol.com.au
-  D1/20 Picrite Close, Pemulwuy, NSW





Scope of Supply

Backwash filter Multipur M, consisting of:

1	Filter
2	Two pressure gauges
3	Handwheel
4	Water outlet for pipe
5	Water outlet for hose (20 mm Ø)

Use

The Multipur backwash filters are used for filtration of drinking and industrial water to protect the water mains and the connected fittings, equipment, machinery, tanks, boilers and production facilities from malfunction and corrosion damage caused by foreign particles.

The filters can also be used for filtration of well, process, boiler feed, cooling and air conditioning water. **In these cases, advice must be obtained from a specialist.**

The filters are unsuitable for oils, greases, solvents, soaps and other lubricating media. Water-soluble substances also cannot be separated off.

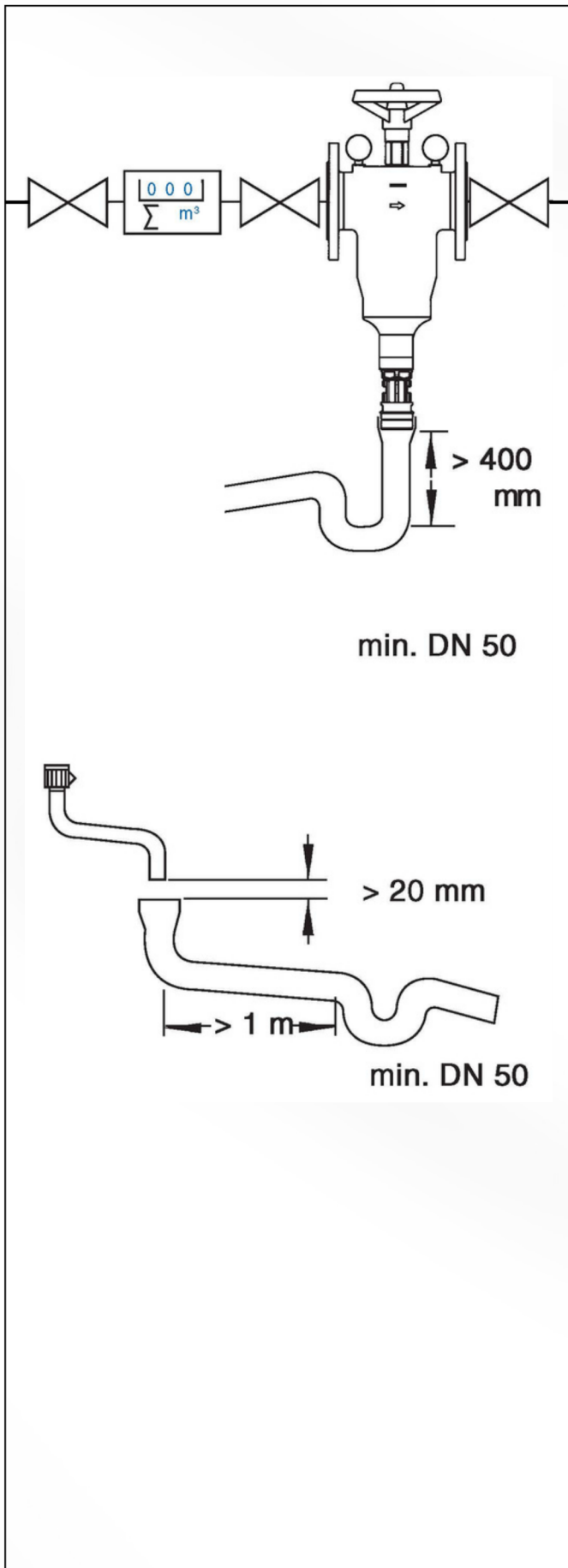
Function

The untreated water flows through a stainless-steel filter element in the Multipur. Foreign particles >100µm or > 200µm are thus retained. Depending on their size and weight, these particles either fall directly into the lower part of the filter housing or adhere to the filter element.

During backwashing, the seal at the rinsing water outlet opens. The suction ring segments of the backwashing element move from the bottom to the top and back again over the entire filter surface and thus clean the filter fabric by suction with clean water at an extremely high flow rate.

Backwashing is carried out by turning the handwheel to the stop and back. When a buildup of contamination on the filter element causes the set differential pressure to be exceeded before the end of the backwashing interval, a backwashing operation is triggered off immediately.

At a mains pressure of 4 bar, backwashing takes approx. 20 seconds, and is monitored by sensors. The monitoring duration is set at the works on coding switch S2 to position A (60 sec.).



If backwashing is not performed correctly within the set monitoring period, the filter attempts to perform up to 9 backwashing operations. If one of these operations is correctly performed, the filter returns to normal operation. If not, it indicates a fault (if need be calling for after-sales service). Preliminary installation conditions.

Local plumbing codes, general guidelines and the technical data must be observed.

The system must be installed by the water supply utility or a plumbing company approved by the water supply utility in accordance with these installation and operating instructions and the applicable regulations.

The installation site must be frostproof and ensure that the filter is protected from solvent vapours, heating oil, lees, acidic cleaners, chemicals of all kinds, direct UV radiation and heat over 40 °C.

If the water contains dirt particles > 2 mm, a coarse dirt trap must be installed upstream from the filter.

A flushing water quantity of at least 1.7 l/s (6 m³/h) must be available for backwashing.

A drainage connection (min. DN 50) must be available for discharge of the rinsing water.

Avoid extreme pressure surges (caused, for example, by downstream solenoid valves or similar).

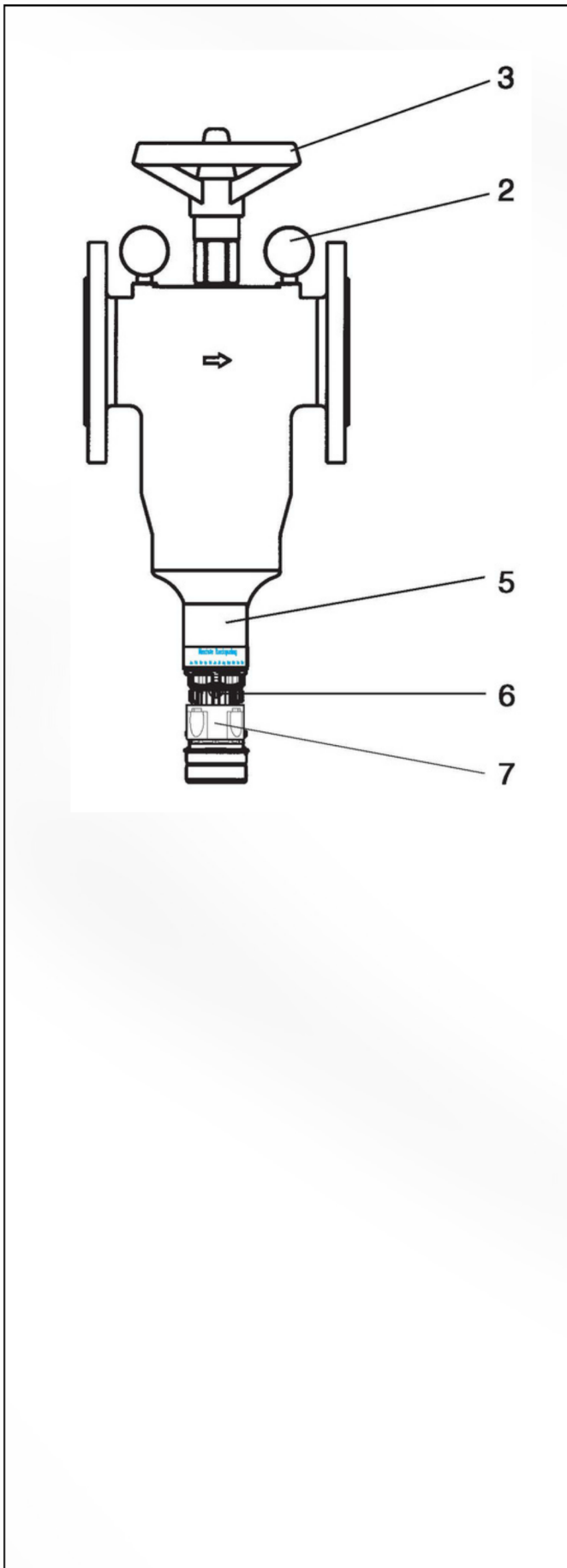
Installation

Install the backwash filter horizontally in the cold water line in the flow direction. (Observe the flow direction arrow on the filter casing.)

Assemble pressure gauges (2).

Screw on the wastewater connection, either for pipe or for hose. Connect the drain line (see fig. 5 for examples).

Put in pressure relief hose from the solenoid valve in the upper cutout of the drain connection respectively in the sloping drill hole of the hose liner.



Commissioning

Check the filter and rinsing water line for correct installation and leakage.

Close the flushing water outlet. Turn handwheel (3) clockwise until the stop is reached.

Open the on-site shut-off valves upstream and downstream from the backwash filter.

Vent the pipeline via the next connection after the filter.

The filter is then ready for operation.

Operation

The filter must be backwashed when the maximum permissible differential pressure (1.5 bar) is reached, or at least every 7 days, whichever period is shorter.

Turn handwheel (3) anti-clockwise until the upper stop is reached.

Close the filter again by turning the handwheel clockwise.

Maintenance

All technical equipment requires regular maintenance. This should always be undertaken by specialist staff who will also replace worn parts. We advise you to conclude a maintenance contract. Maintenance must be performed once each year, and twice each year for municipal systems, by a plumber or the manufacturer.

Warranty

In the event of a malfunction during the warranty period, please contact our after-sales service department, stating the type of unit and the product number (PNR) (see the technical data or the type plate on the unit).

Warranty work may only be performed by our after-sales service staff.

Warranty work by an outside specialist company requires an express order from our customer service management. Only original spare parts may be used, or the warranty will become void.

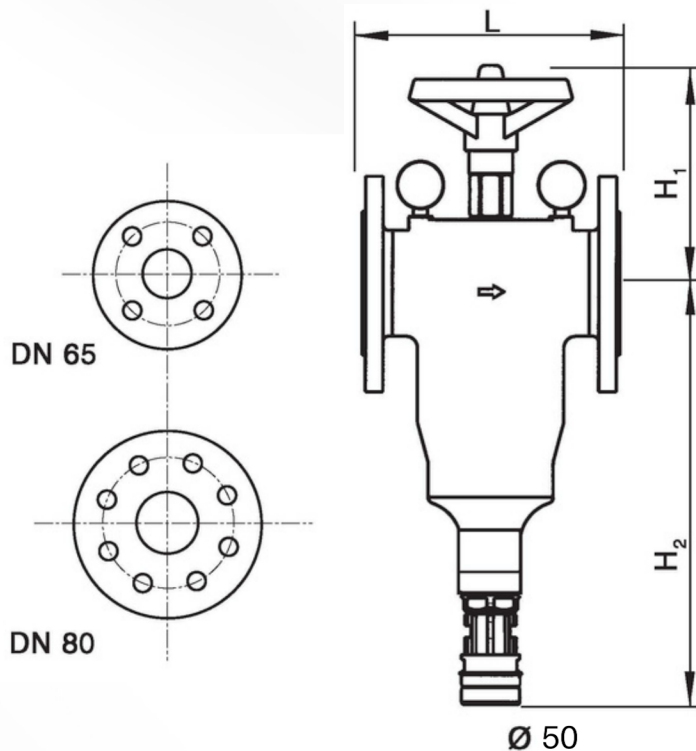
Troubleshooting

Fault	Cause	Action
Water pressure dropped considerably in network	Dirty filter element	Carry out backwash
Flushing water outlet does not close	Backwash element does not reach the end position due to large particles of dirt	Repeat backwash several times
Flushing water outlet leaks	Defective seal	Pull cover plate (7) down and close flushing water outlet with safety stop valve (6). Have seal replaced by specialist firm.

If the fault cannot be rectified using these notes, please contact a specialist firm or our Customer Service.

Technical Data





Multipur M	Type	65 M	80 M
Nominal Connection Width	DN	65	80
Flow Capacity at $\Delta p=20$ kPa	m ³ /h	22	36
Micron Rating	μ m	90 / 110	
Nominal Pressure (PN)	bar	10	
Operating pressure p° min/max	bar	2.5 / 10	
Minimum Pressure behind Filter (for backwashing)	bar	2.5	
Rinsing water Volume at 4 bar pressure	l	18	
Rinsing water flow	l/s (m ³ /h)	1.7 (6.0)	
Water temperature, min. max.	°C	5 - 30	
Ambient Temperature, Min/max	°C	5 - 40	
Flange Connection		according to DIN 2501, Part 1	
L Face to face length	mm	220	
H1 Height from pipe centre to top of filter	mm	230	
H2 Height from pipe centre to bottom of filter	mm	400	
Drainage connection, min.	DN	50	
Operating weight, approx.	kg	15	18
Product number		WFC-FS-MUL-M65	WFC-FS-MUL-M80





WaterflowControl

For Further Information:

-  (02) 9948 0699
-  info@waterflowcontrol.com.au
-  www.waterflowcontrol.com.au
-  D1/20 Picrite Close, Pemulwuy, NSW