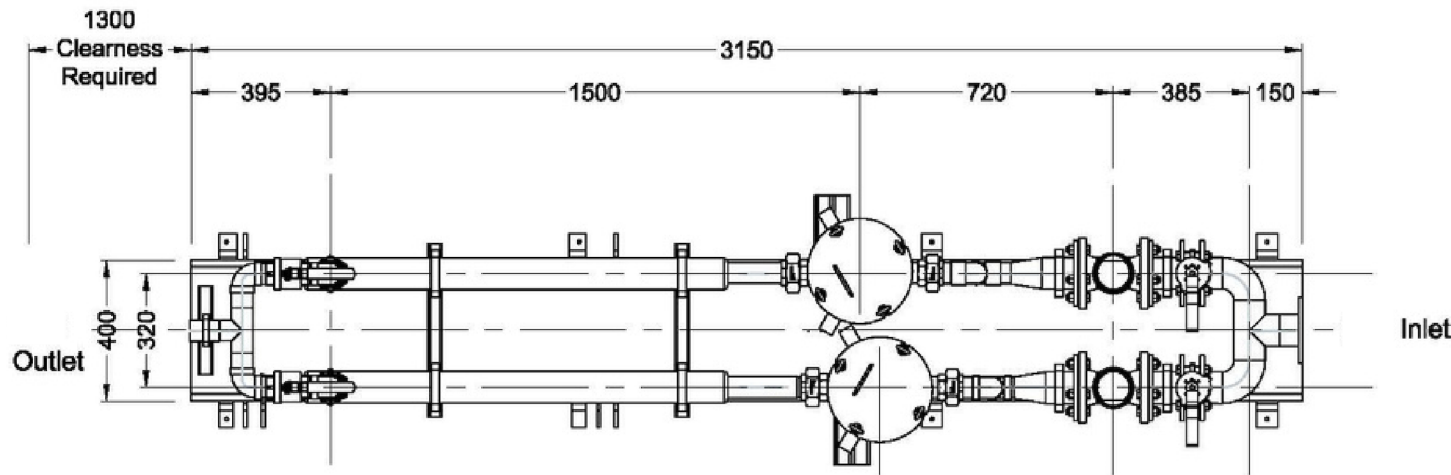
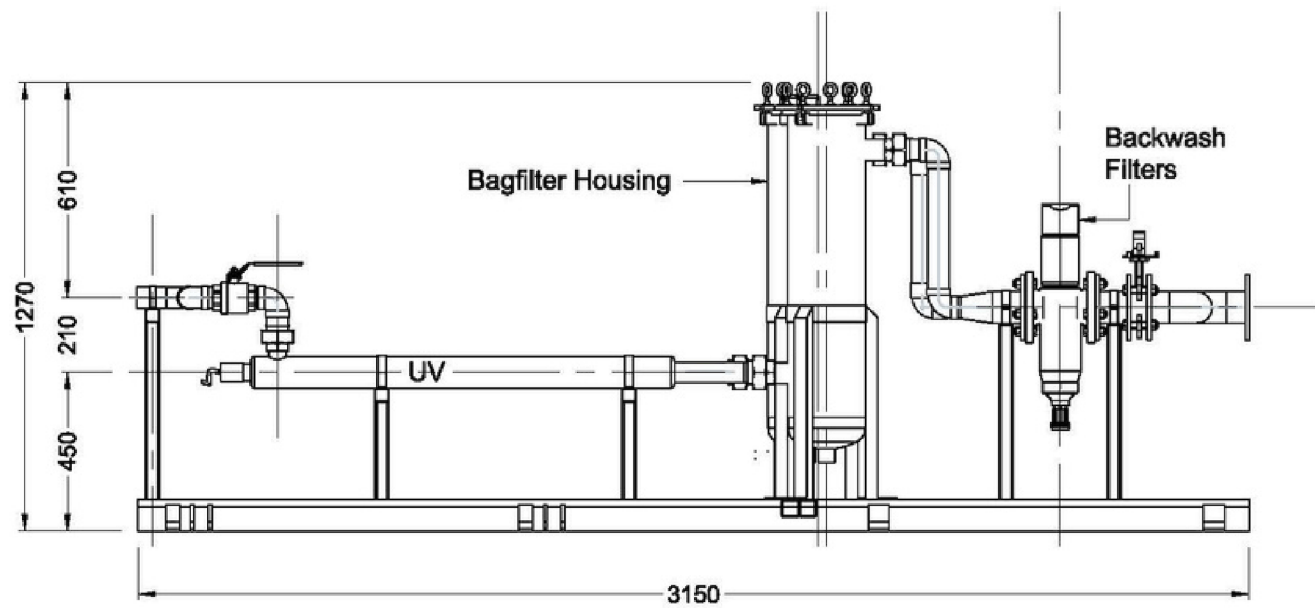


PUMP DUTY		CLIENT:	DRN	U.C		
FLUID PUMPED			CHK			
UNIT WEIGHT			APPD			
SUCTION			DATE	25/07/2023		
DISCHARGE			SCALE	1:16		
PUMP MODEL		PROJECT:			PART NO.	
DRIVER					DRG. NO.	A3
TRANSMISSION						
PAIN T SPEC						



**PLAN VIEW**

1:20



**FRONT VIEW**

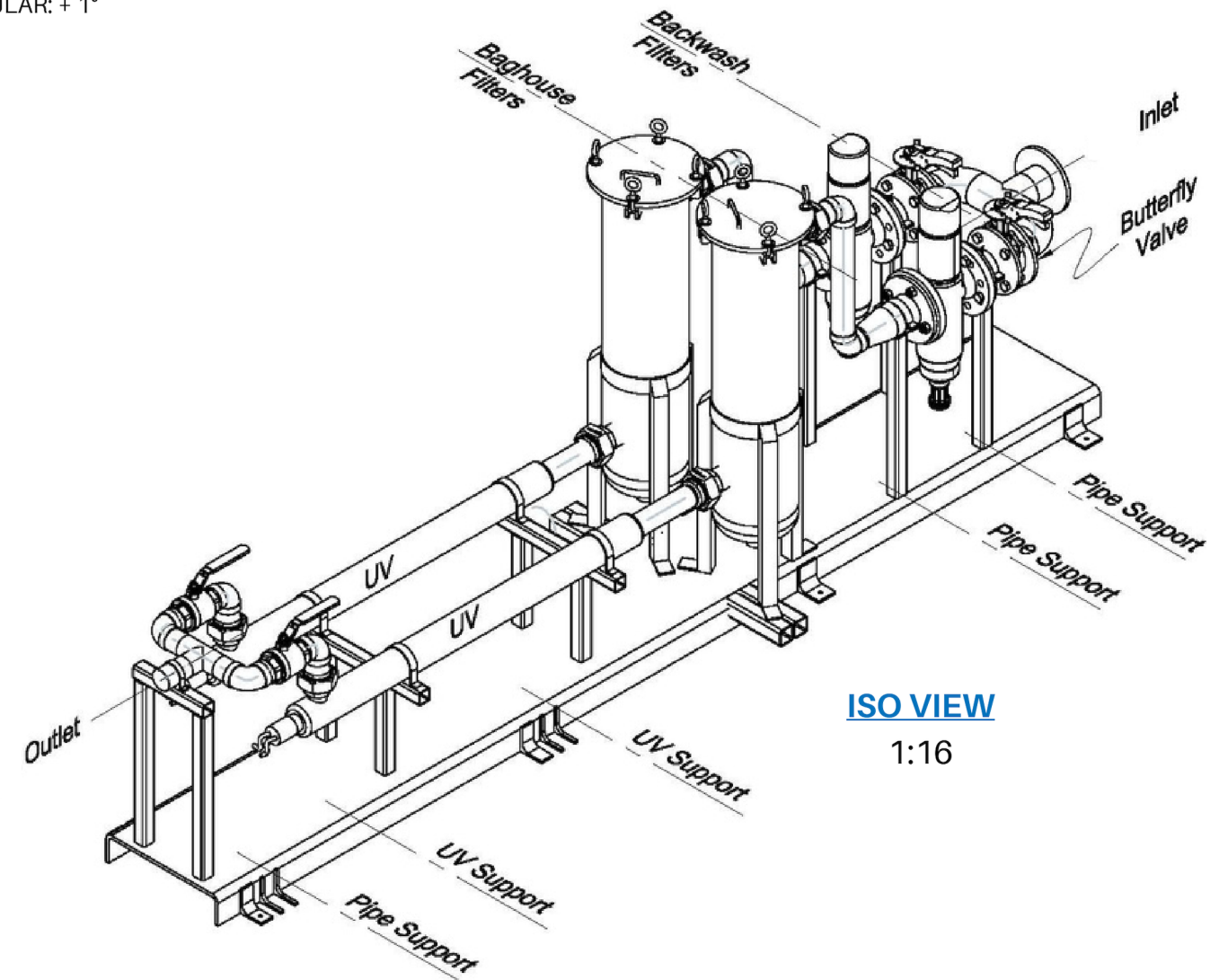
1:20

ALL DIMENSIONS IN MM

**TOLERANCES:**

LINEAR: + 1.0 MM

ANGULAR: + 1°



**ISO VIEW**

1:16