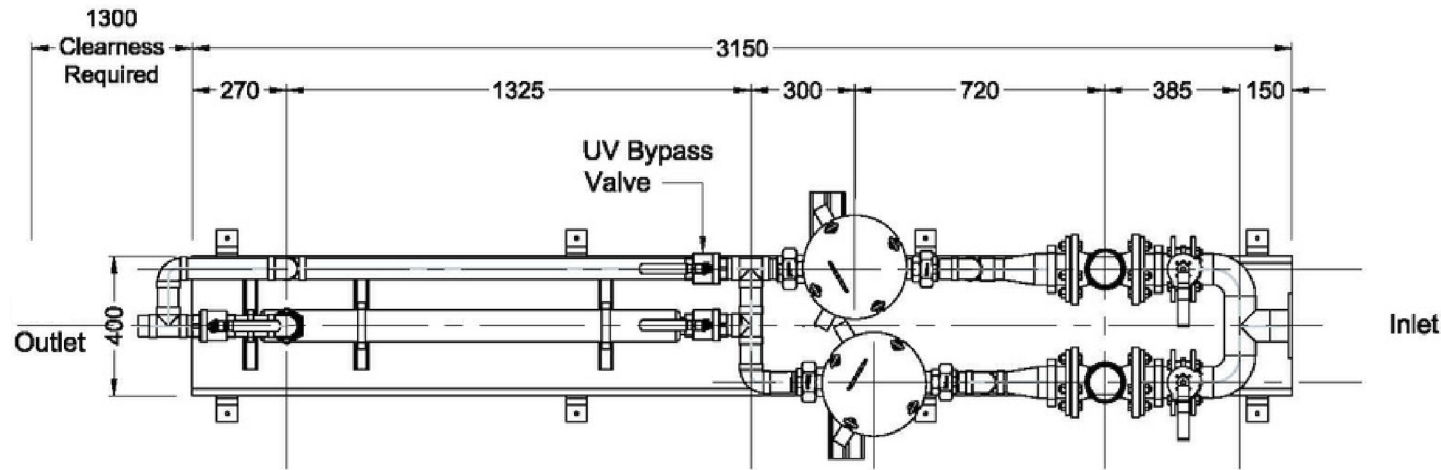
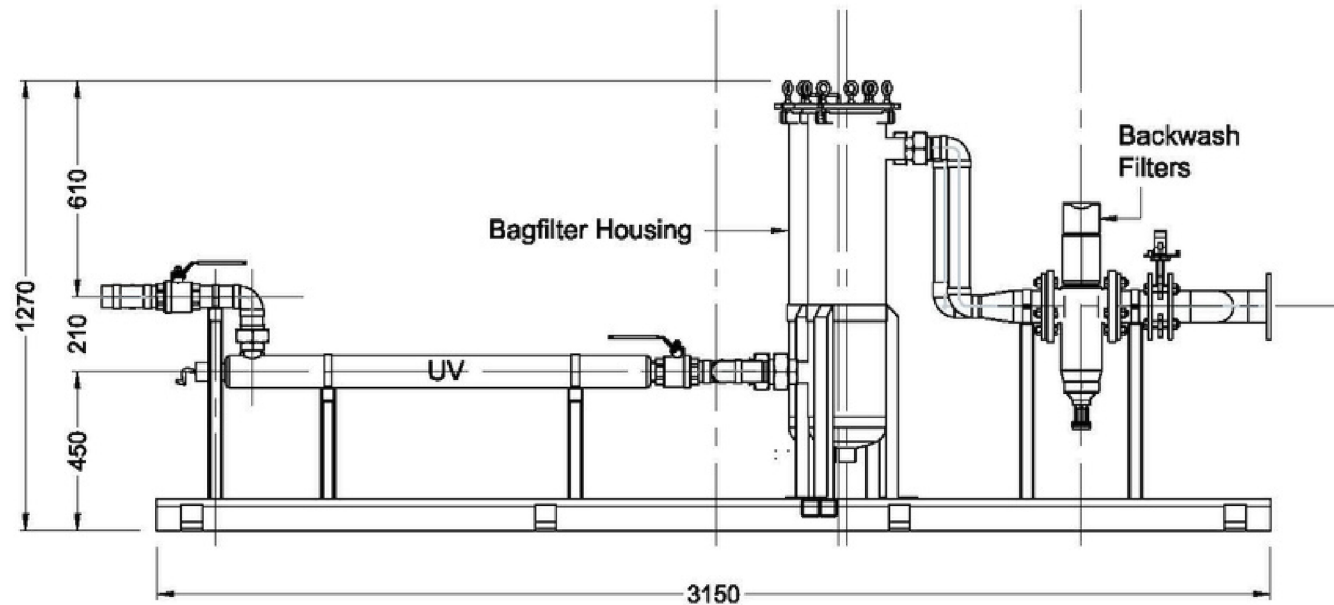


PUMP DUTY		CLIENT:	DRN	U.C		
FLUID PUMPED			CHK			
UNIT WEIGHT			APPD			
SUCTION			DATE	25/07/2023		
DISCHARGE			SCALE	1:16		
PUMP MODEL		PROJECT:			PART NO:	
DRIVER					DRG. NO:	A3
TRANSMISSION						
PAIN T SPEC						



PLAN VIEW

1:20



FRONT VIEW

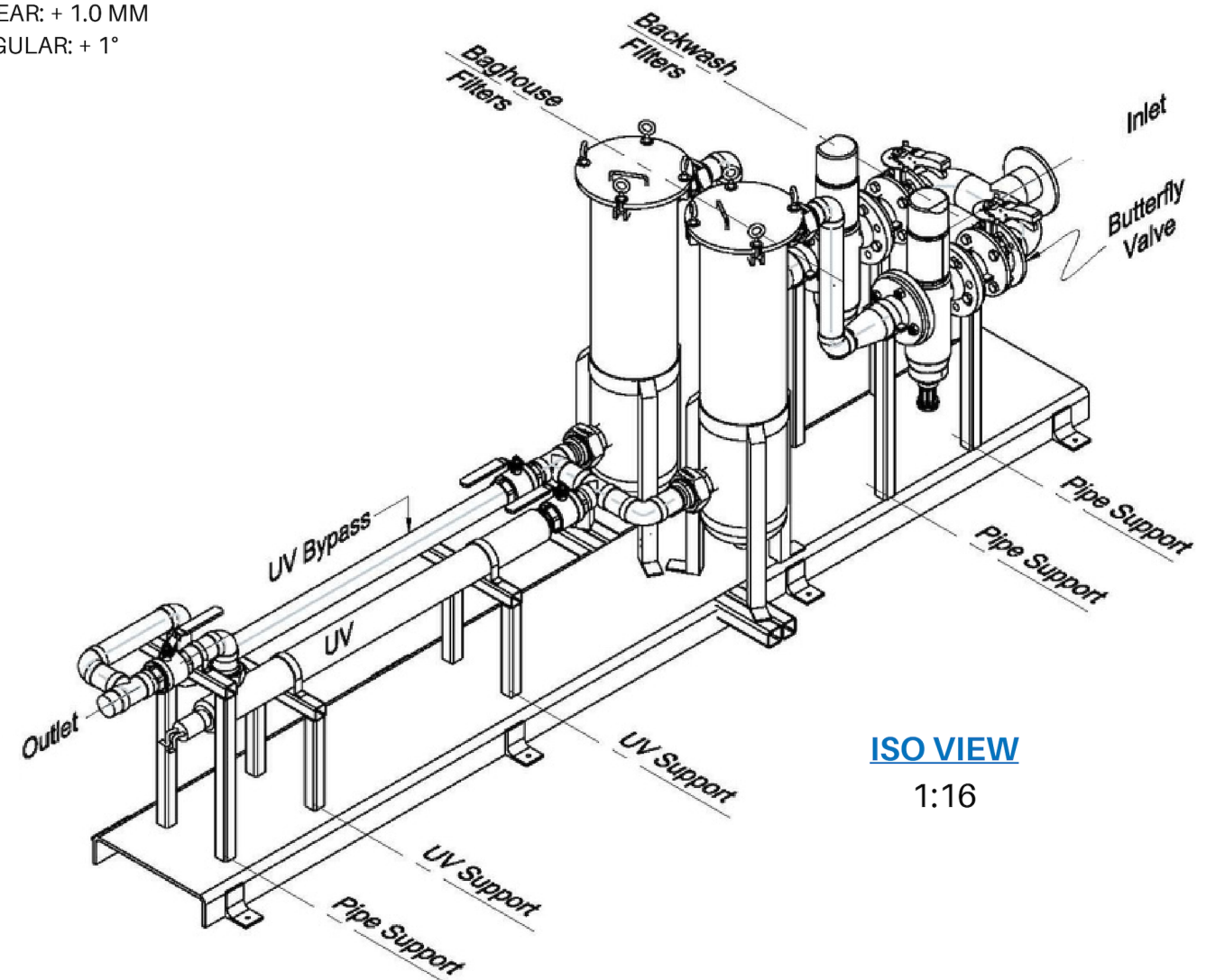
1:20

ALL DIMENSIONS IN MM

TOLERANCES:

LINEAR: + 1.0 MM

ANGULAR: + 1°



ISO VIEW

1:16