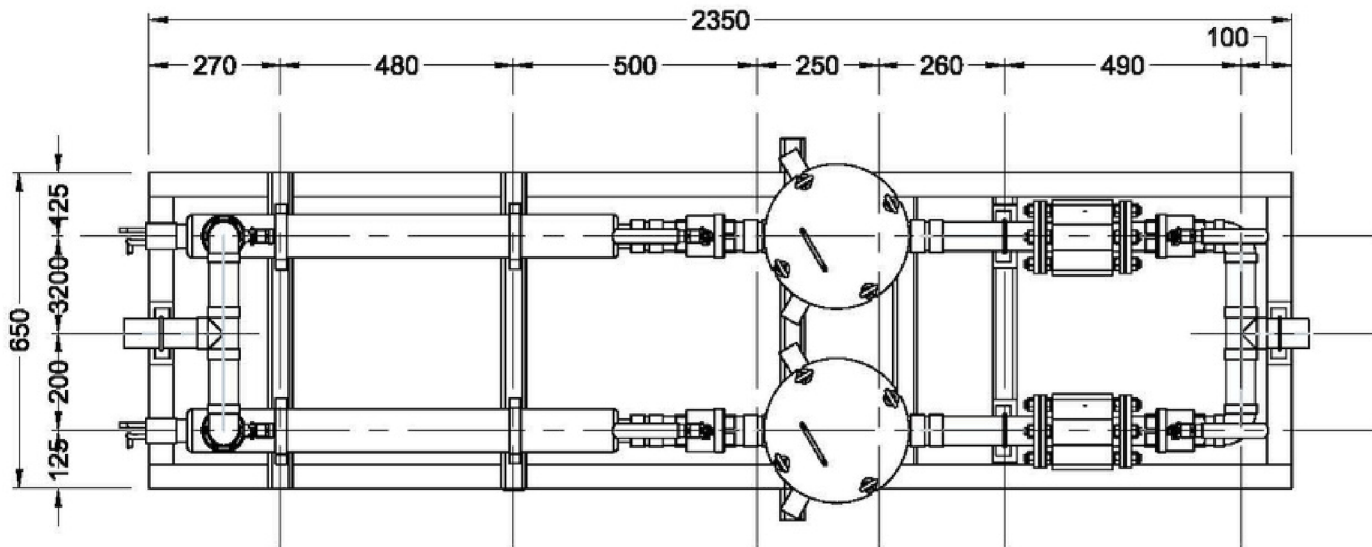
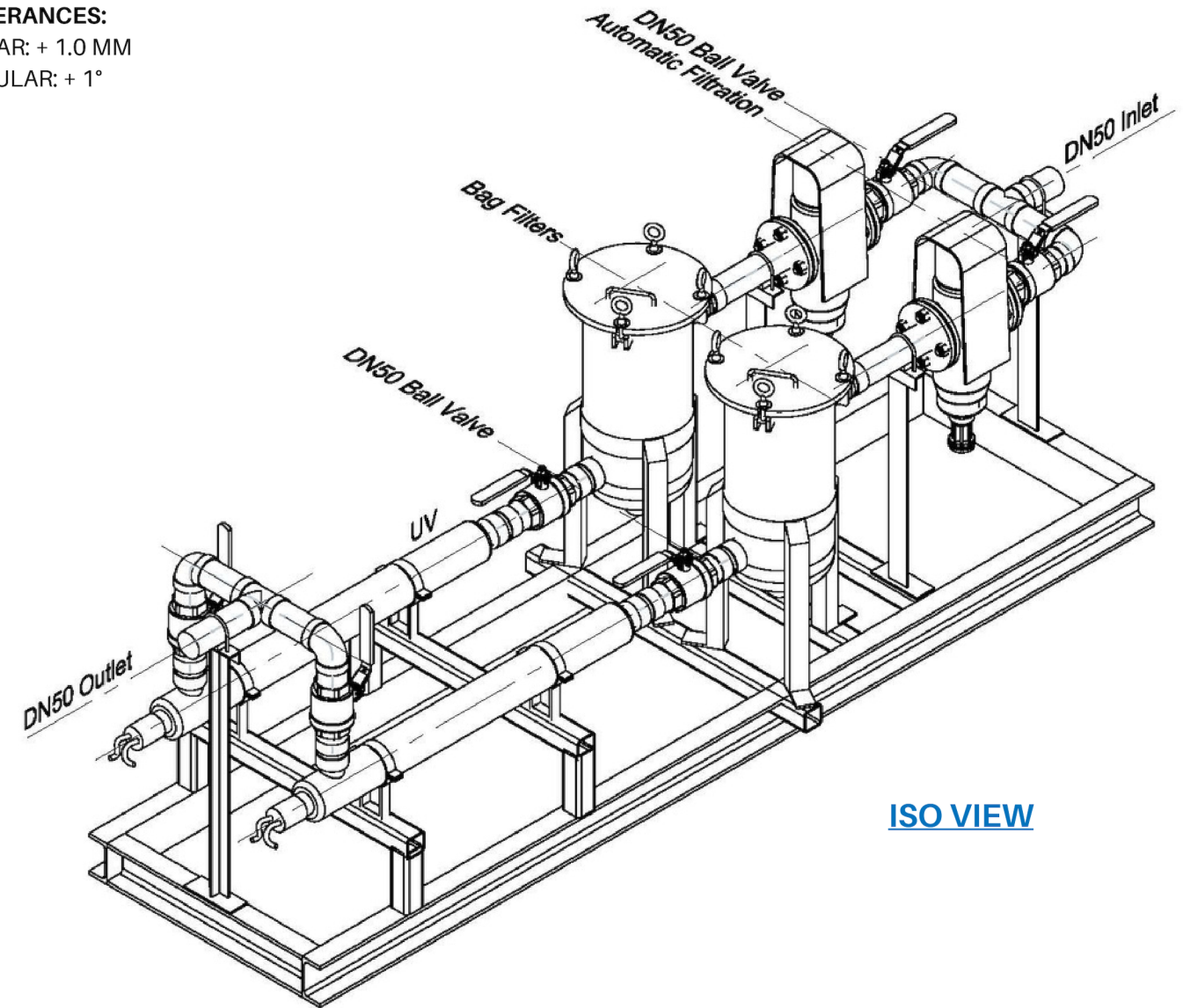


PUMP DUTY	CLIENT:	DRN	U.C		
FLUID PUMPED		CHK			
UNIT WEIGHT		APPD			
SUCTION		DATE	22/08/2023		
DISCHARGE		SCALE	1:16		
PUMP MODEL	PROJECT:			PART NO.	
DRIVER				DRG. NO.	A3
TRANSMISSION					
PAINT SPEC					

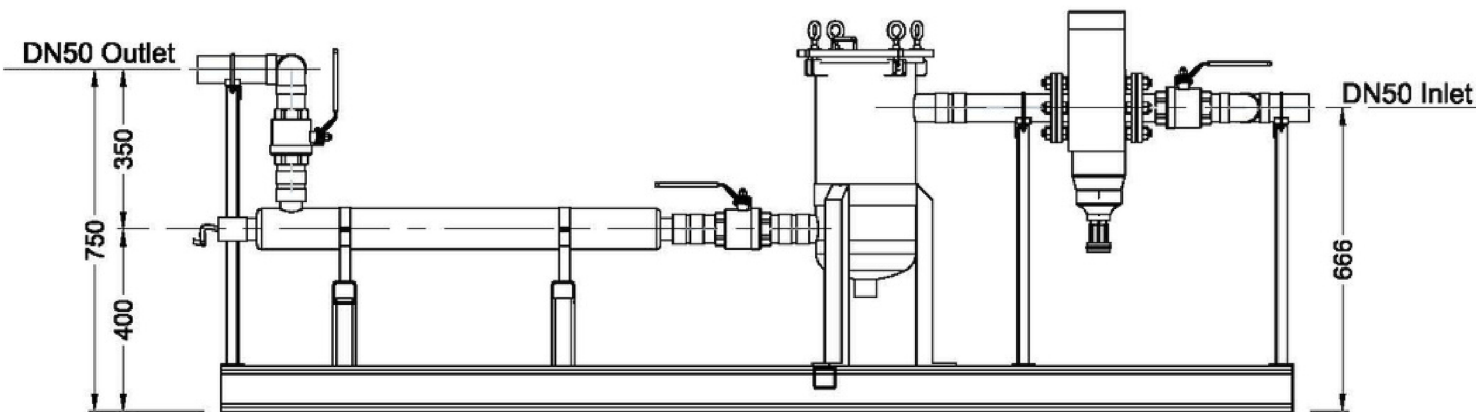


TOP VIEW

ALL DIMENSIONS IN MM  
**TOLERANCES:**  
 LINEAR: + 1.0 MM  
 ANGULAR: + 1°



ISO VIEW



FRONT VIEW